

Minuteman[®]

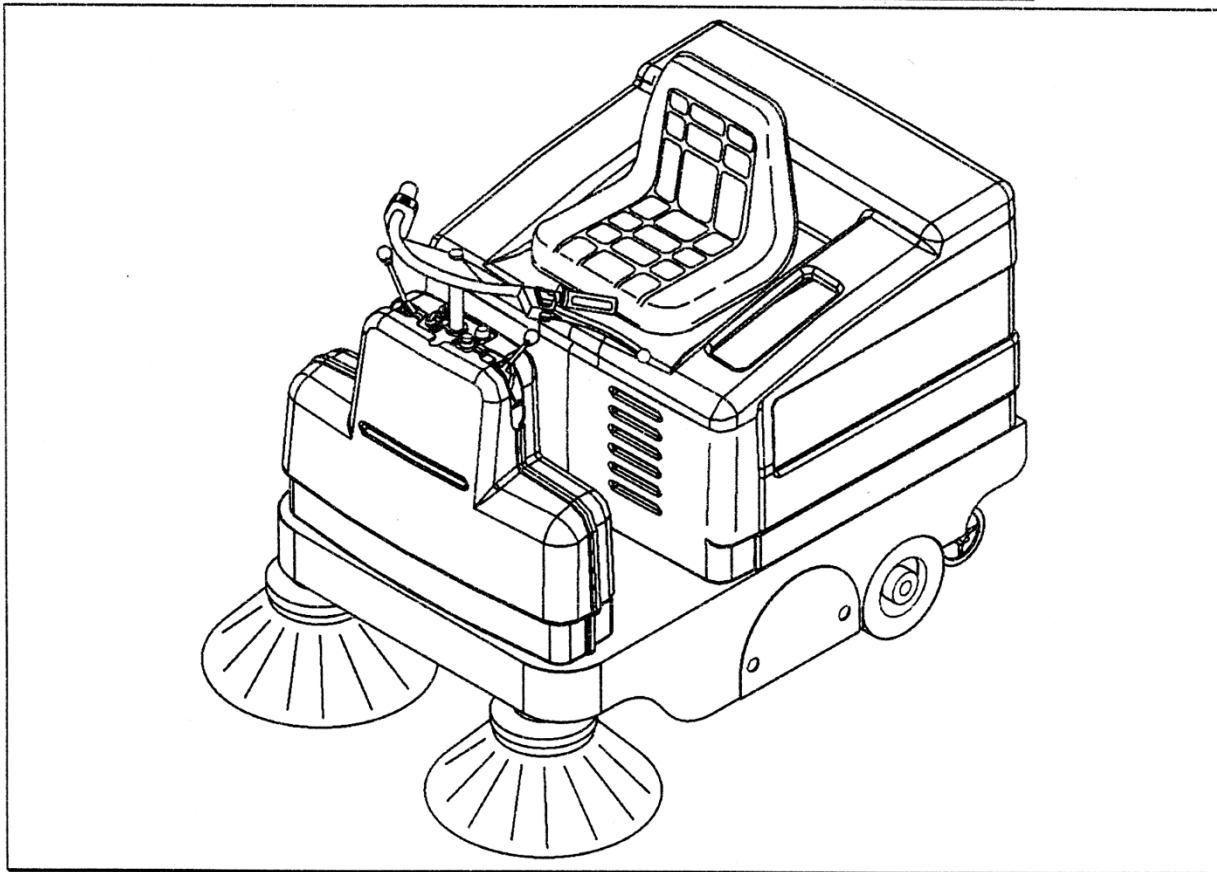
PowerBoss[®]

PROWLER

Parts Manual

MODEL RS 42

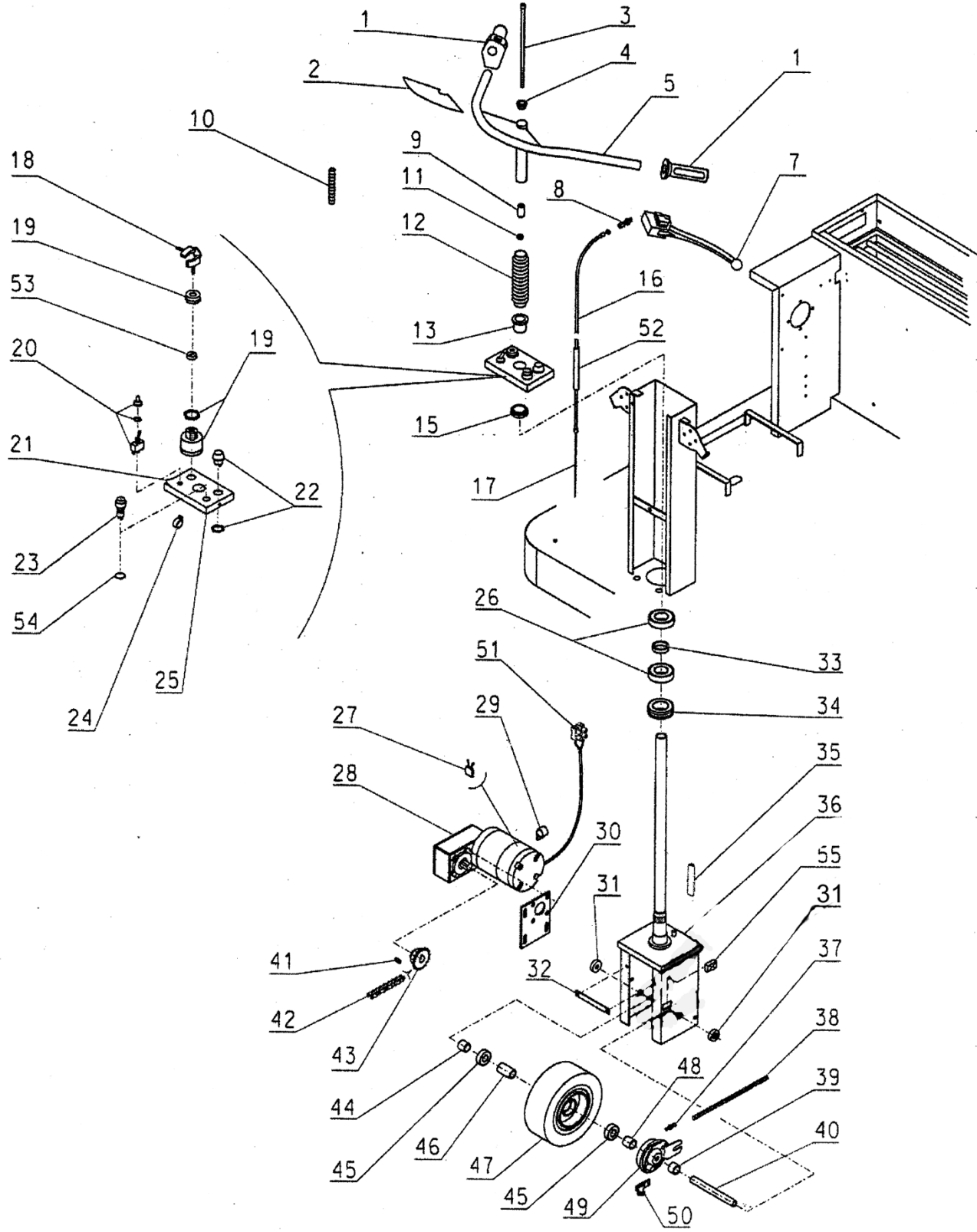
Intercompany Use Only – Do Not Send To Dealer



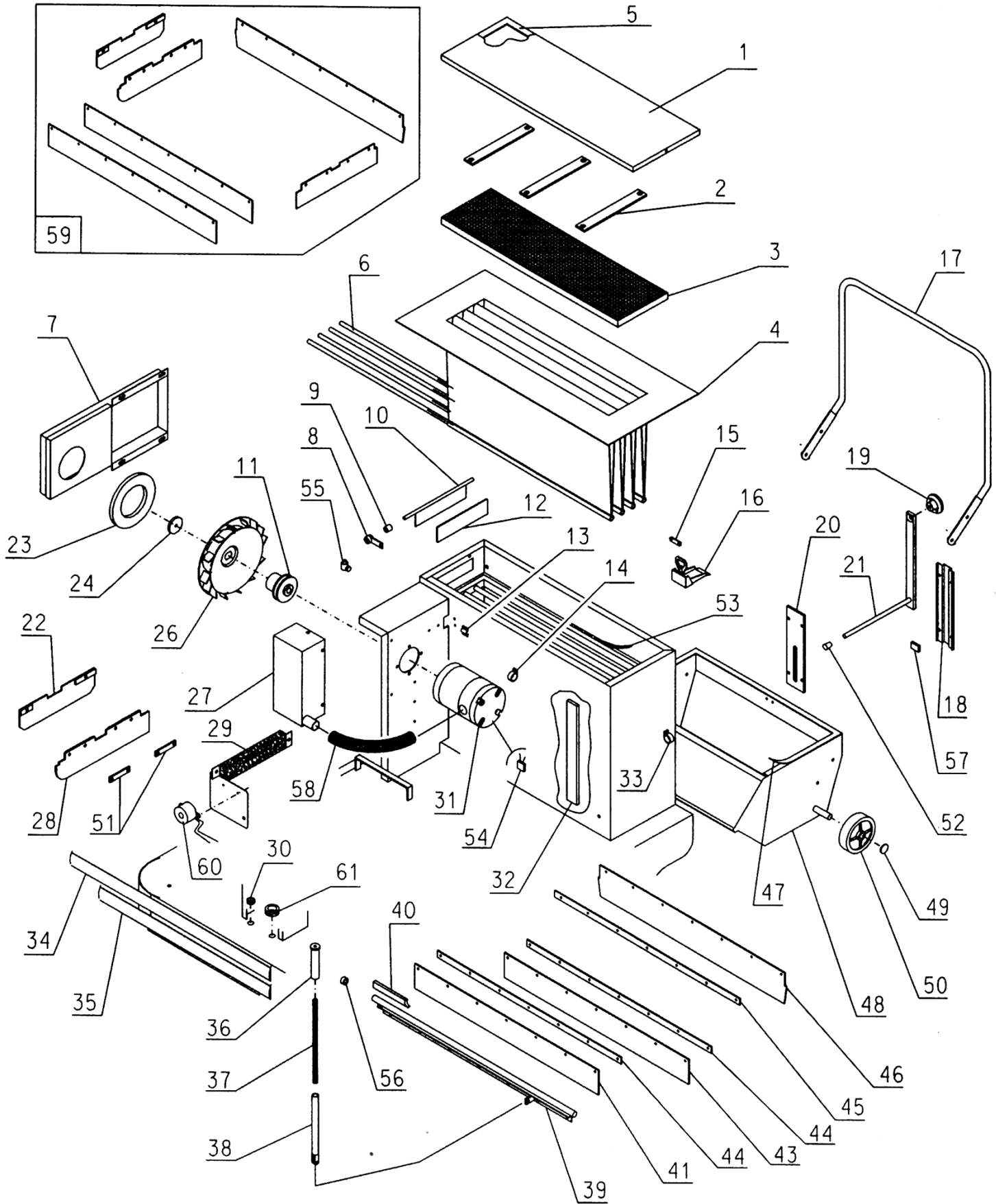
Minuteman[®] PowerBoss[®]

*P.O. Box 1227 175 Anderson Street
Aberdeen, NC 28315-1227 USA
(910) 944 - 2105 FAX: (910) 944-7409*

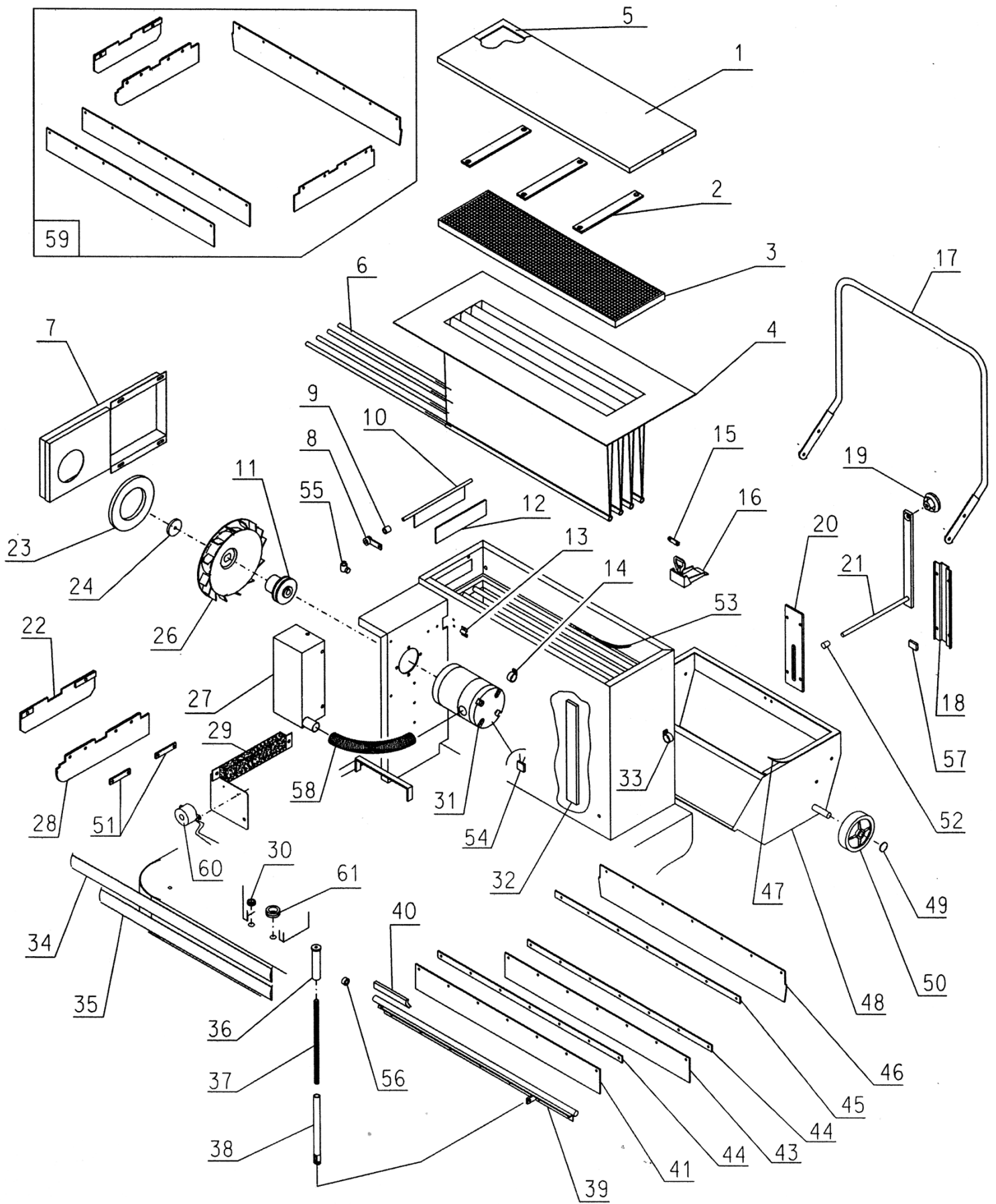
Pos.	Eureka	Powerboss	Description	Electric Qty
1	580137	1002001	Seat with microswitch	1
2	310179	1001595	Right chassis	1
3	330061	1000703	Rubber ring	11
4	M30108	1001634	Profile	mts
5	310177	1001649	Upper hood	1
6	330068	1001616	Washer	2
7	120371	1001525	Right fairing support	1
8	110319	1001479	Hood rod	1
9	120344	1001507	Seat frame	1
10	120341	1001504	Fairing frame	1
11	640029	1001101	Horn	1
12	210116	1000469	Lock pin	11
13	330067	1001615	Washer	11
14	120372	1001526	Left fairing support	1
15	340039	1002040	Rubber carpet	1
16	310178	1001594	Bonnet	1
17	130181	1001536	Chassis	1
18	310181	1001597	Front panel	1
19	310180	1001596	Left chassis	1
20	670056	1002002	Bulb From frame's number 65000288	2
21	670055	1002000	Flashing lamp From frame's number 65000288	2
22	M21040	1002003	Clamp adhseive From frame's number 65000288	5



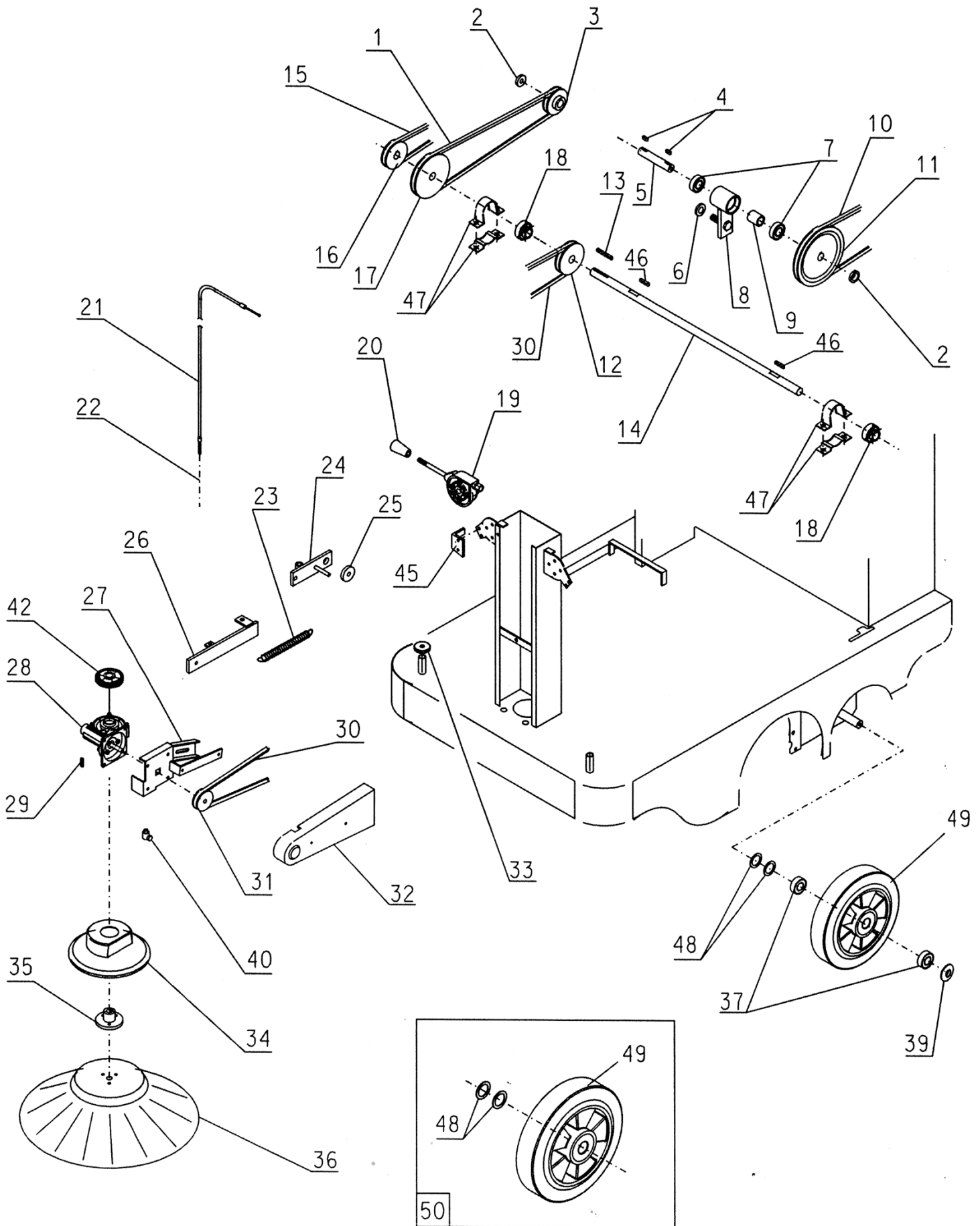
Pos.	Eureka	Powerboss	Description	Electric Qty
1	650030	1001758	Plate handles	1
2	510241	1001680	Adhesive	1
3	110318	1001478	Screw	1
4	210248	1001565	Washer	1
5	180022	1001539	Handle	1
7	560039	1001705	Lever	1
8	110359	1001494	Adjuster	1
9	210247	1001564	Conical Bush	1
10	M30144	1001635	Sheath	mts
11	720031	1001766	Nut	1
12	330101	1001617	Protection for steering column	1
13	210239	1001556	Bush	1
15	720048	1001767	Steel ring	1
16	570046	1001710	Sheath	1
17	570047	1001711	Break thread	1
18	660018	1001761	Couple of keys	1
19	660020	1001762	Switch without key	1
20	640077	1001119	Switch	1
21	510236	1001677	Adhesive	1
22	660005	1001760	Horn push button	1
23	650021	1001756	Charge indicator	1
24	640162	1001753	Clamp	1
25	120340	1001503	Panel	1
26	410031	1001655	Bearing	2
27	640062	1001362	Carbon	4
28	610037	1001724	Reducer	1
29	640028	1001100	Clamp	1
30	120339	1001502	Plate	1
31	210240	1001557	Washer	2
32	110309	1001473	Plate	1
33	210242	1001559	Spacer	1
34	410030	1001654	Bearing	1
35	M30027	1001636	Profile	mts
36	130175	1001532	Clamp	1
37	560038	1001704	Adjuster	1
38	550058	1001700	Spring	1
39	210246	1001563	Spacer	1
40	210241	1001558	Shaft	1
41	750010	1001772	Key	1
42	460033	1001667	Chain	1
43	460032	1001666	Pinion	1
44	210244	1001561	Spacer	1
45	410016	1000797	Bearing	2
46	210243	1001560	Spacer	1
47	450005	1001665	Wheel	1
48	210245	1001562	Spacer	1
49	580135	1001720	Brake support	1
50	120358	1001520	Brake lever	1
51	640159	1001751	Clamp	1
52	900440	1001630	Hose	1
53	110372	1001497	Dust-casing from s/n 1068	1
54	360231	1001631	Ring from s/n 1020	1
55	330111	100190	Rubber plug	1



Pos.	Eureka	Minuteman	Description	Electric Qty
1	110320	1001480	Filter cover	1
2	110312	1001476	Plate	3
3	120352	1001514	Fixing panel	1
4	520051	1001688	Bag filter	1
5	M30002	1001814	Profile	mts
6	110356	1001491	Shaking round bar	4
7	120343	1001506	Aspiration box	1
8	130174	1001531	Lever	1
9	210237	1001555	Spacer	1
10	120353	1001515	Vacuum cut-off	1
11	270063	1001587	Pulley	1
12	360227	1001629	Sponge	1
13	110053	1000047	Clamp	1
14	640123	1001750	Clamp	1
15	580139	1001722	Counterpart lever closing	1
16	580138	1001721	Closing	1
17	160005	1001538	Container handle	1
18	110315	1001477	Filter-shaker guide	1
19	330105	1001621	Handle	1
20	360218	1001628	Guide	1
21	120348	1001510	Filter-shaker lever	1
22	380010	1001647	Rubber	1
23	340005	1000710	Washer	1
24	210012	1001789	Disc	1
26	330006	1000661	Vacuum fan	1
27	900364	1001782	Box for noise level reduction	1
28	380011	1001648	Rubber	1
29	900366	1001783	Bar	1
30	330065	1001612	Rubber	1
31	610038	1001075	Vacuum motor from s/n 1100	
32	900443	1001638	Profile	6
33	640036	1001108	Clamp	1
34	320013	1001604	Bumper	1
35	320012	1001603	Bumper	1
36	120357	1001519	Spring guide	1
37	550055	1001697	Spring	1
38	120356	1001518	Spring guide	1
39	120354	1001516	Flap shaft	1
40	M30141	1001641	Profile	mts
41	350008	1001627	Rubber	1
43	340033	1001624	Rubber	1
44	110329	1001484	Bar	2
45	110331	1001486	Bar	1
46	340034	1001625	Rubber	1
47	M30027	1001636	Profile	mts
48	120355	1001517	Dirt container	1
49	580043	1001044	Stop wheel	2
50	440013	1000844	Wheel	2
51	110327	1001489	Plate	2
52	330035	1000683	Rubber plug	1



Pos.	Eureka	Minuteman	Description	Electric Qty
53	360242	1001641	Profile	1
54	640062	1001362	Carbon up to serial number 1099	4
54	640096	1001363	Carbon from serial number 1100	4
55	570007	1000988	Clamp	1
56	210237	1001555	Bush	1
57	360249	1001645	Rubber plug	1
58	360250	1001646	Sheath	1
59	490149	1001671	Rubber flaps set	R
60	900217	1001838	Acoustic signal for riverse speed	1
61	330044	1002004	Rubber	1



Pos.	Eureka	Powerboss	Description	Electric Qty
1	430042	1001662	Belt	1
2	210233	1001552	Washer	2
3	270057	1001580	Pulley	1
4	750014	1001773	Key	2
5	230051	1001572	Pivot	1
6	210249	1001566	Washer	1
7	410006	1000787	Bearing	2
8	130178	1001535	Support	1
9	210232	1001551	Spacer	1
10	430039	1001660	Belt	1
11	270056	1001579	Pulley	1
12	270060	1001583	Pulley	2
13	750028	1001777	Key	1
14	230053	1001574	Shaft	1
15	430041	1001661	Belt	1
16	270061	1001585	Pulley	1
17	270062	1001586	Pulley	1
18	420010	1001657	Bearing	2
19	560015	1000981	Rh side brush lever	1
20	330031	1000680	Plate handle	1
21	570051	1001716	Sheath	1
22	570050	1001714	Thread	1
23	550030	1001695	Spring	1
24	120345	1001508	Right support	1
25	210230	1001549	Washer	1
26	120337	1001499	Brush arm	1
27	120349	1001511	Right support	1
28	530009	1000928	Reducer DX	1
29	750015	1001774	Key	1
30	430027	1001658	Belt	1
31	270004	1000579	Pulley	1
32	310127	1001598	Protection	1
33	330102	1001618	Handle	1
34	310030	1000629	Protection side-brush right	1
35	320003	1000653	Flange	1
36	520026	1000921	Side brush	1
37	410032	1001656	Bearing	4
39	210266	1001570	Washer from serial n°1121	2
40	570015	1000991	Clamp	1
42	790016	1001779	Reduction gear	1
45	200025	1002042	Right lever hook From frame's number 65000021	1
46	750015	1001774	Key	1
47	420015	1002043	Support	2
48	730037	1001192	Washer From frame's number 65000501	4
49	440040	1002044	Wheel with bearing From frame's number 65000501	2
50	490403	1002045	Whell replacement kit Up to frame's number 65000500	-

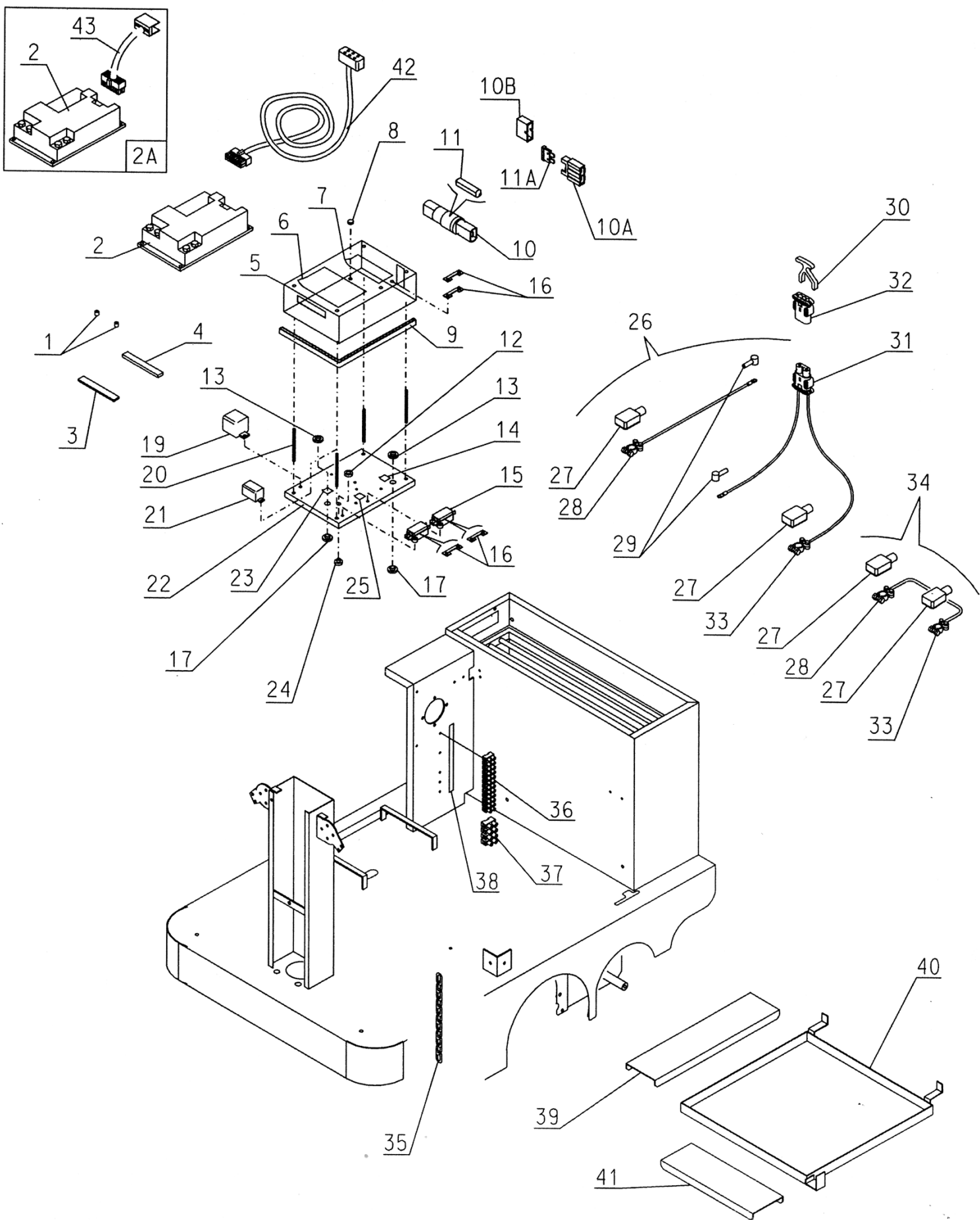
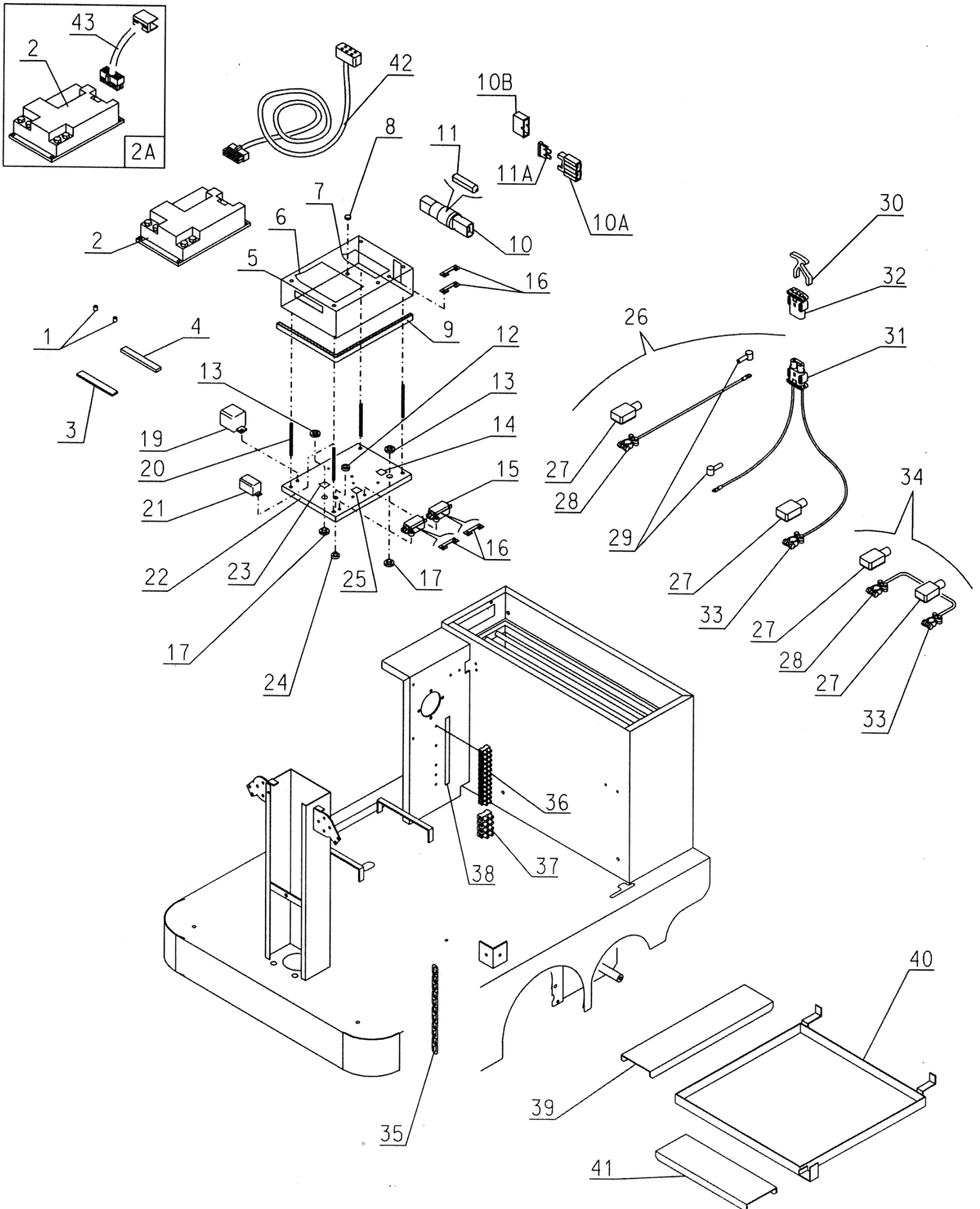


DIAGRAM 5

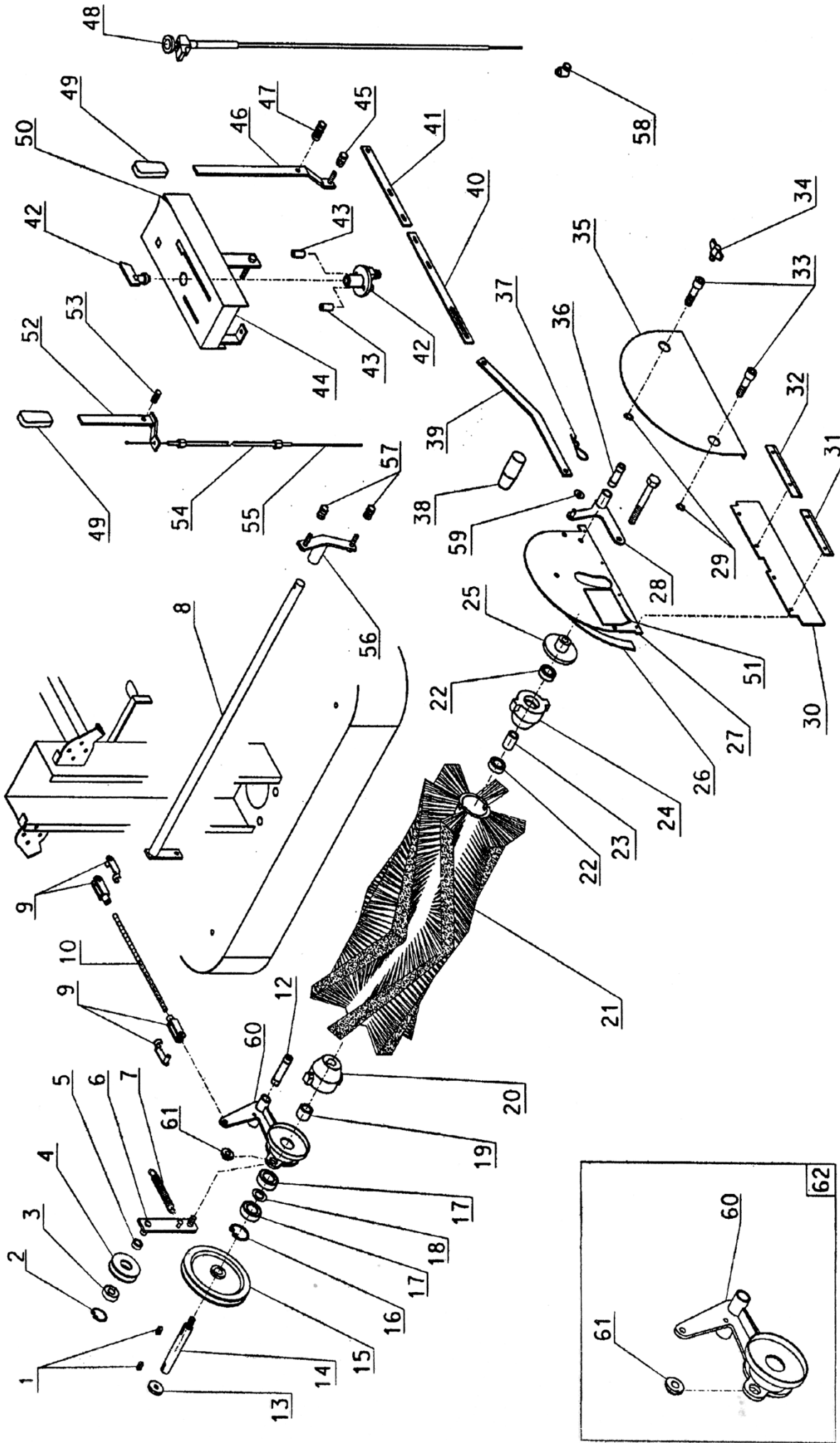
RS 42

29/06/2007

Pos.	Eureka	Powerboss	Description	Electric Qty
1	210252	1001567	Spacer Up to frame's number 65000432	2
2	650029	1001757	Electric card From frame's number 65000433	1
2A	490398	1002041	Electric card replacement kit Up to frame's number 65000432	1
3	M30069	1001644	Profile	mts
4	M30141	1001641	Profile	mts
5	120363	1001523	Cover	1
6	510245	1001683	Adhesive	1
7	510244	1001682	Adhesive	1
8	330051	1000694	Rubber plug	1
9	M30170	1001642	Profile	mts
10	640075	1001117	Fuse-box Up to frame's number 65000358	1
10A	640226	1002008	Fuse-box From frame's number 65000359	1
10B	640227	1002009	Cover From frame's number 65000359	1
11	640061	1001116	Fuse 8A Up to frame's number 65000358	1
11A	640109	1002020	Fuse 7.5A From frame's number 65000359	1
12	280009	1001589	Washer	1
13	210160	1001543	Washer	2
14	510132	1001675	Adhesive	1
15	640087	1001128	Fuse-box	2
16	640088	1001129	Fuse 30A	4
17	210159	1001542	Washer	2
19	650032	1001759	Relais	1
20	110333	1001488	Bar	4
21	650031	1002022	Intermittence 24V From frame's number 65000288	1
22	120350	1001512	Electric box base	1
23	510133	1001676	Adhesive	1
24	280008	1001588	Washer	1
25	510240	1001679	Adhesive	1
26	630102	1001729	Wiring	1
27	330066	1001613	Terminal cover	2
28	640093	1001742	Clamp(+)	1
29	640119	1001749	Protection	1
30	640039	1001389	Handle	1
31	640037	1001730	Connector	1
32	640038	1001669	Connector	1
33	640094	1001744	Clamp(-)	1
34	630107	1001751	Connection cable	1
35	460036	1001668	Chain	1
36	640021	1001493	Terminal board	1
37	640159	1001751	Terminal board	1
38	510243	1001681	Adhesive	1
39	110358	1001493	Thickness	1

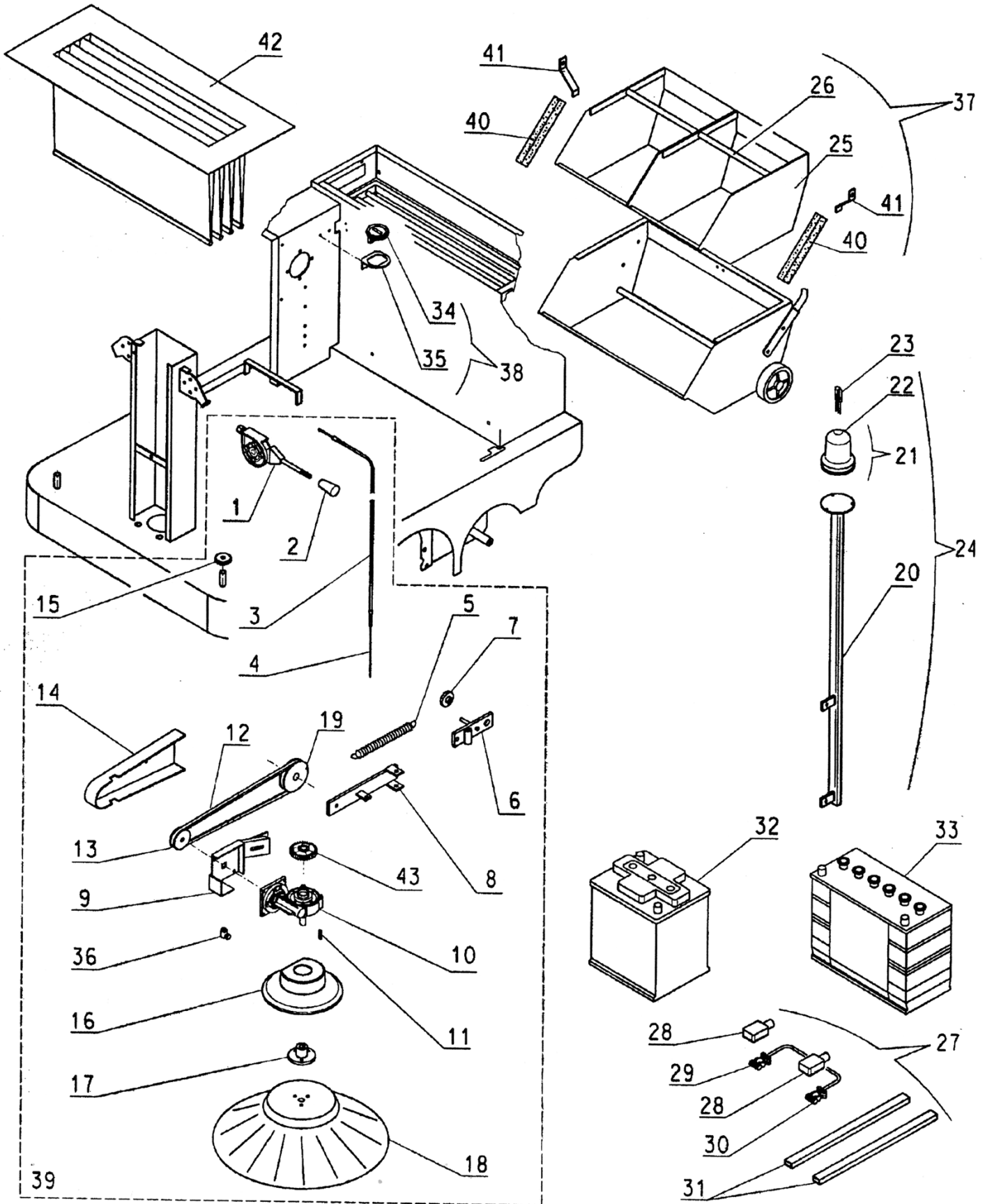


Pos.	Eureka	Powerboss	Description	Electric Qty
40	120351	1001513	Batteries case	1
41	110357	1001492	Thickness	1
42	630105	1001792	Wiring Up to frame's number 65000432	1
	650047	1002039	Wiring From frame's Number 65000433	1
43	650049	1002012	Adapter Up to frame's number 65000432	1



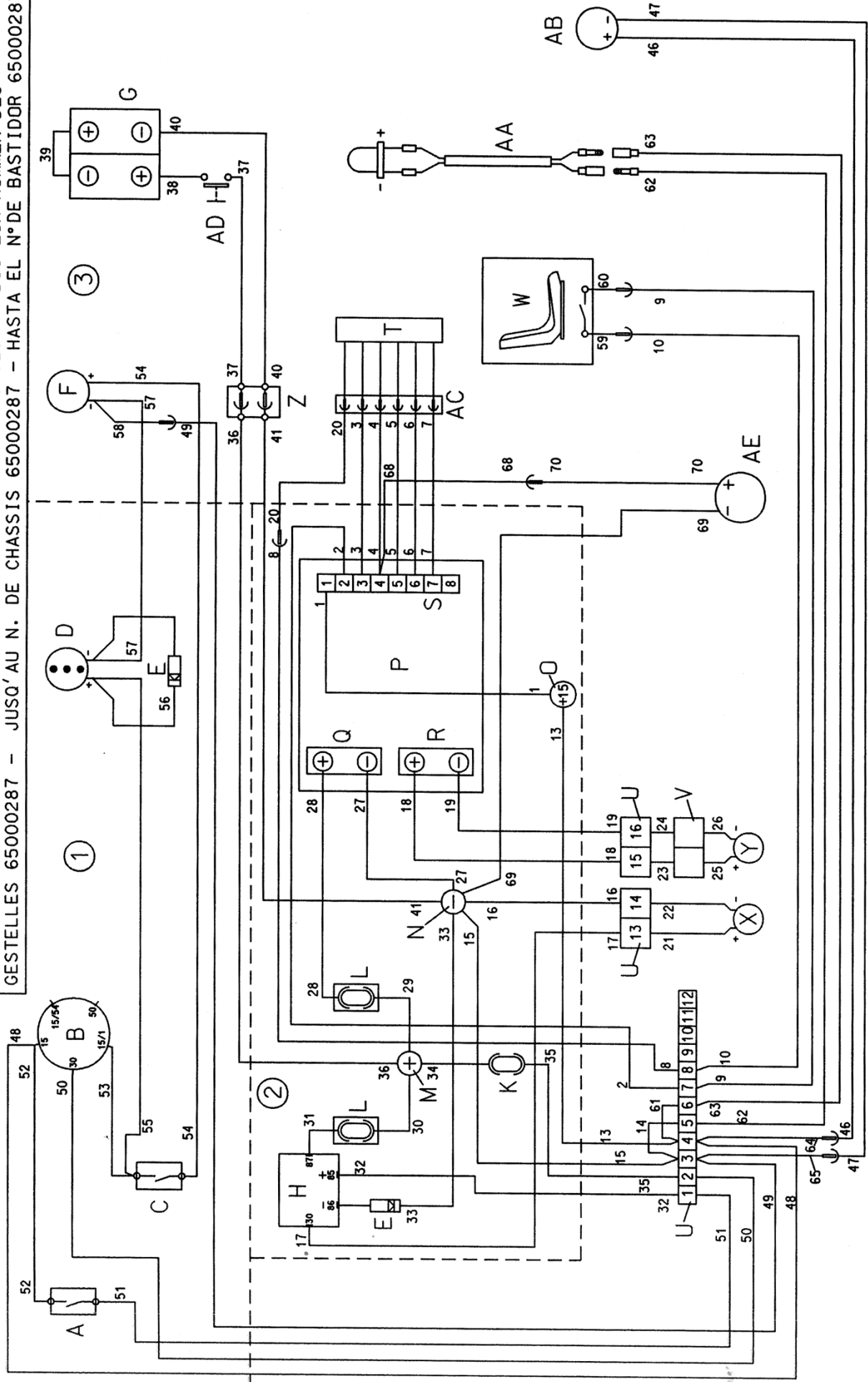
Pos.	Eureka	Powerboss	Description	Electric Qty
1	750027	1001776	Key	2
2	740008	1001207	Ring	1
3	410001	1000782	Bearing	1
4	270059	1001582	Pulley	1
5	210226	1001545	Spacer	1
6	130177	1001534	Belt tensioner support	1
7	550001	1000939	Spring	1
8	120347	1001509	Shaft	1
9	580056	1001053	Fork	2
10	110321	1001481	Bar	1
12	210228	1001547	Spacer	1
13	210234	1001553	Washer	1
14	230052	1001573	Pivot	1
15	270058	1001581	Pulley	1
16	740025	1001771	Ring	1
17	410016	1000797	Bearing	2
18	730044	1001768	Washer	1
19	210225	1001544	Spacer	1
20	260019	1001576	Right hub	1
21	520049	1001687	Main brush	1
22	410001	1000782	Bearing	2
23	210229	1001548	Spacer	1
24	260018	1001575	Left hub	1
25	130172	1001529	Brush protection	1
26	M30002	1001814	Profile	mts
27	110322	1001482	Left inside closure	1
28	130171	1001528	Lever	1
29	740014	1001770	Ring	1
30	340029	1001623	Rubber	1
31	110310	1001474	Bar	1
32	110311	1001475	Bar	1
33	210235	1001554	Screws	2
34	900363	1001781	Key	1
35	130173	1001530	Closing	1
36	210227	1001546	Bush	1
37	760022	1001778	Split pin	1
38	330103	1001620	Plate handle	1
39	110325	1001483	Bar	1
40	110330	1001485	Upper bar	1
41	110360	1001495	Lower bar	1
42	640170	1001754	Battery disconnection + key	1
43	110339	1001490	Spacer	2
44	120342	1001505	Side panel	1
45	550022	1000957	Spring	1
46	120360	1001521	Main brush lever	1
47	550056	1001698	Spring	1
48	560037	1001703	Vacuum knob	1
49	330007	1000662	Plate handle	2
50	510237	1001678	Panel label	1
51	510254	1001684	Adhesive	1
52	120361	1001522	Flap lever	1

Pos.	Eureka	Powerboss	Description	Electric Qty
53	550022	1000957	Spring	1
54	570048	1001712	Sheath	1
55	570049	1001713	Thread	1
56	130176	1001533	Lever	1
57	550057	1001699	Spring	1
58	570007	1000988	Clamp	1
59	360232	1001632	Washer	1
60	130190	1001537	Right support from serial n° 1068	1
61	210264	1001569	Bush from serial n° 1068	1
62	130190 210264	1001569 1001537	Complete right support up to s/n 1067	1

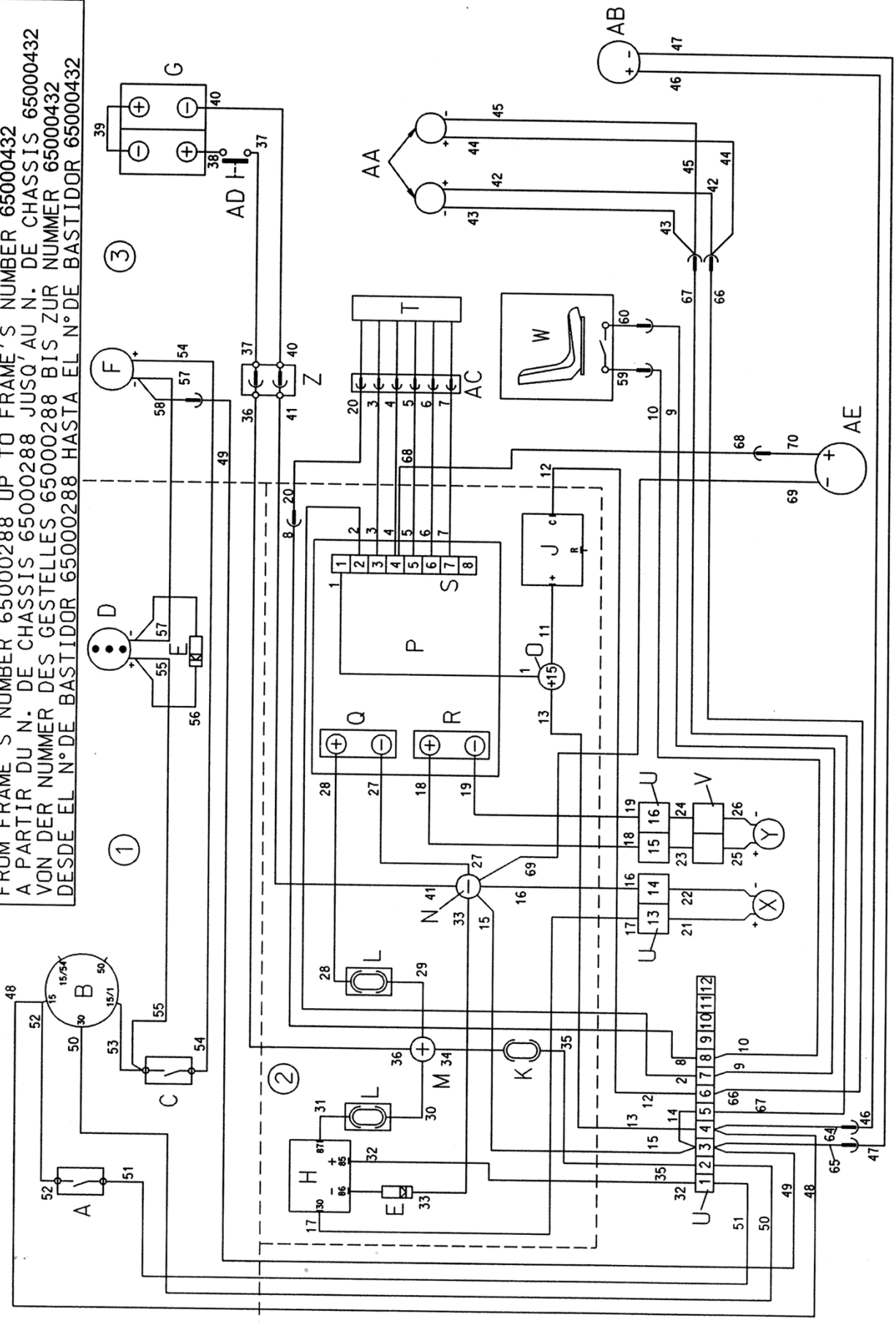


Pos.	Eureka	Powerboss	Description	Electric Qty
1	560014	1000980	Lh side brush lever	1
2	330031	1000680	Plate handle	1
3	570051	1001716	Sheath	1
4	570050	1001714	Thread	1
5	550030	1000965	Spring	1
6	120338	1001501	Left support	1
7	210230	1001549	Washer	1
8	120337	1001499	Brush arm	1
9	120365	1001524	Left support	1
10	530011	1000929	Reducer SX	1
11	750015	1001774	Key	1
12	430027	1001658	Belt	1
13	270004	1000579	Pulley	1
14	310128	1001599	Protection	1
15	330102	1001618	Handle	1
16	310061	1001428	Protection side-brush left	1
17	320003	1000653	Flange	1
18	520026	1000921	Side brush	1
19	270060	1001583	Pulley	1
20	120164	1000254	Supporting rod Up to frame's number 65000287	1
21	670027	1001764	Multi voltage flashing light Up to frame's number 65000287	1
22	670026	1001763	Flashing light Housing Up to frame's number 65000287	1
23	670028	1001765	Bulb Xenon Up to frame's number 65000287	1
24	490060	1001341	Flashing lamp Up to frame's number 65000287	1
25	310131	1001600	Refuse-box	2
26	120386	1001527	Container handle	2
27	490151	1001672	Kit for lodging 4 batteries	1
28	330066	1001613	Terminal cover	6
29	640094	1001744	Clamp(-)	3
30	640093	1001742	Clamp(+)	3
31	110308	1001472	Battery block	2
32	620016	1001727	Dry charge Battery 6V 240 Ah	4
33	620045	1001728	Battery 12V 158 Ah (full charge)	2
34	650002	1001755	Hours counter	1
35	110152	1000118	Support	1
36	570015	1000991	Clamp	1
37	490163	1001674	Refuse-box kit	1
38	490147	1001670	Hourmeter kit	1
39	490161	1001673	Left side brush kit	1
40	360236	1001633	Sponge	2
41	110371	1001496	Support	2
42	520052	1001689	Bag filter "C" class	1
43	790018	1001780	Reduction gear left	1
44	900385	1001784	Refuse box with handle	1

FINO AL TELAIO N°65000287 - UP TO FRAME'S NUMBER 65000287 - BIS ZUR NUMMER DES GESTELLES 65000287 - JUSQ' AU N. DE CHASSIS 65000287 - HASTA EL N° DE BASTIDOR 65000287



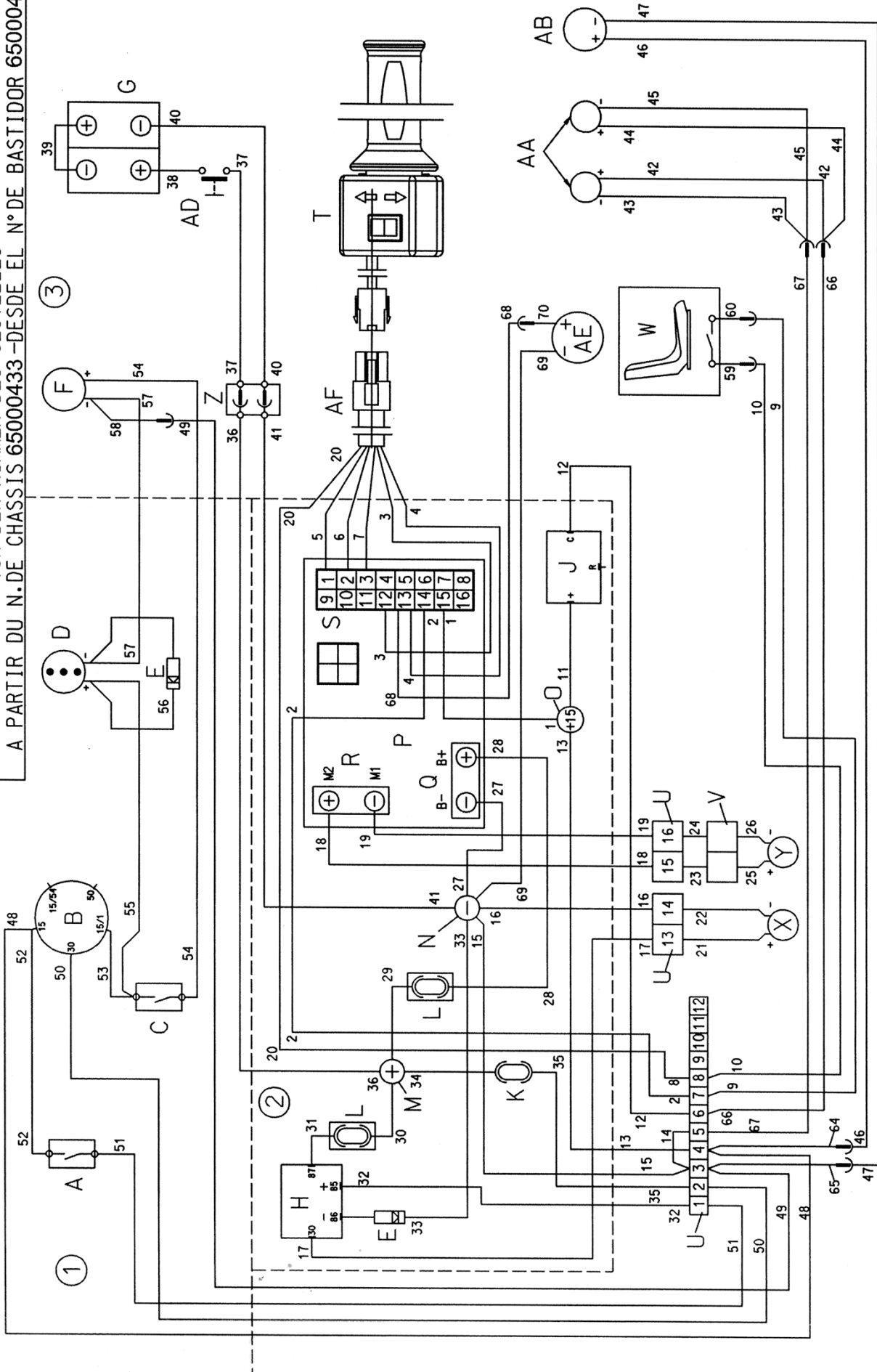
DAL TELAIO N° 65000288 AL TELAIO N° 65000432
 FROM FRAME'S NUMBER 65000288 UP TO FRAME'S NUMBER 65000432
 A PARTIR DU N. DE CHASSIS 65000288 JUSQ' AU N. DE CHASSIS 65000432
 VON DER NUMMER DES GESTELLES 65000288 BIS ZUR NUMMER 65000432
 DESDE EL N° DE BASTIDOR 65000288 HASTA EL N° DE BASTIDOR 65000432



Dal telaio n°65000288 al telaio n°65000432 - From frame's number 65000288 up to frame's number 65000432 – A partir du n. de chassis 65000288 jusqu'au n. de chassis 65000432
 Von der Nummer des Gestelles 65000288 bis zur Nummer des Gestelles 65000432
 Desde el n° de bastidor 65000288 hasta el n° de bastidor 65000432

	IMPIANTO ELETTRICO	WIRING DIAGRAM
1	Plancia comandi	Controls board
2	Quadro elettrico	Electric panel
3	Scocca	Chassis
A	Interruttore spazzola COD. 640077-1001119	Brush switch
B	Chiave COD. 660020-1001762	Key
C	Pulsante claxon COD. 660005-1001760	Horn push botton
D	Segnalatore batteria COD. 650021-1001756	Battery charge indicator
E	Diodo 3 A COD. 640010-1001836	Diode 3A
F	Claxon COD. 640029-1001101	Horn
G	Batteria	Battery
K	Fusibile 7.5 A COD. 640109-1002020	Fuse 7.5 A
H	Relè motore spazzole COD. 650032-1001759	Relais
L	Fusibile 30 A COD. 640088-1001129	Fuse 30A
M	Polo positivo	Positive pole
N	Polo negativo	Negative pole
O	Polo positivo sotto chiave	Positive pole under the key
P	Scheda chopper COD. 650029-1001757	Electric card
Q	Entrata dalla batteria	Input from battery
R	Uscita al motore	Output to the motor
S	Connettore scheda	Electric card connector
T	Manopola COD. 650030-1001758	Plate handle
U	Morsettiera sopra scocca COD. 640021-1001493	Terminal board above the chassis
V	Morsettiera sotto scocca COD. 640021-1001493	Terminal board under the chassis
X	Motore spazzole COD. 610038-1001075	Brush motor
Y	Motore ruota COD. 610037-1001724	Wheel motor
W	Sedile COD. 580137-1002037	Seat
Z	Connettore	Connector
AA	Lampeggiante COD. 670055-1002000	Flashing light
AB	Contaore COD. 650002-1001755	Hours meter
AC	Connettore manopola	Plate handle connector
AD	Stacca batteria di emergenza COD. 640170-1001754	Battery emergency disconnection
AE	Suoneria retromarcia 24V COD. 900217-1001838	Battery emergency disconnection

DAL TELAIO N°65000433-FROM FRAME'S NUMBER 65000433
 VON DER NUMMER DES GESTELLES 65000433
 A PARTIR DU N. DE CHASSIS 65000433 -DESDE EL N° DE BASTIDOR 65000433



Dal telaio n°65000433 - From frame's number 65000433 – A partir du n. de chassis 65000433
 Von der nummer des gestelles 65000433 – Desde el n° de bastidor 65000433

	IMPIANTO ELETTRICO	WIRING DIAGRAM
1	Plancia comandi	Controls board
2	Quadro elettrico	Electric panel
3	Scocca	Chassis
A	Interruttore spazzola COD. 640077-1001119	Brush switch
B	Chiave COD. 660020-1001762	Key
C	Pulsante claxon COD. 660005-1001760	Horn push botton
D	Segnalatore batteria COD. 650021-1001756	Battery charge indicator
E	Diodo 3 A COD. 640010-1001836	Diode 3A
F	Claxon COD. 640029-1001101	Horn
G	Batteria	Battery
J	Intermittenza 24V COD. 650031-1002022	Intermittence 24 V
K	Fusibile 7.5 A COD. 640109-1002020	Fuse 7.5 A
H	Relè motore spazzole COD. 650032-1001759	Relais
L	Fusibile 30 A COD. 640088-1001129	Fuse 30A
M	Polo positivo	Positive pole
N	Polo negativo	Negative pole
O	Polo positivo sotto chiave	Positive pole under the key
P	Scheda chopper COD. 650050-1002038	Electric card
Q	Entrata dalla batteria	Input from battery
R	Uscita al motore	Output to the motor
S	Connettore scheda	Electric card connector
T	Manopola COD. 650030-1001758	Plate handle
U	Morsettiera sopra scocca COD. 640021-1001493	Terminal board above the chassis
V	Morsettiera sotto scocca COD. 640021-1001493	Terminal board under the chassis
X	Motore spazzole COD. 610038-1001075	Brush motor
Y	Motore ruota COD. 610037-1001724	Wheel motor
W	Sedile COD. 580137-1002037	Seat
Z	Connettore	Connector
AA	Lampeggiante COD. 670055-1002000	Flashing light
AB	Contaore COD. 650002-1001755	Hours meter
AD	Stacca batteria di emergenza COD. 640170-1001754	Battery emergency disconnection
AE	Suoneria retromarcia 24V COD. 900217-1001838	Acoustic signal 24v
AF	Cablaggio scheda manopola COD. 650047-1002039	Wiring